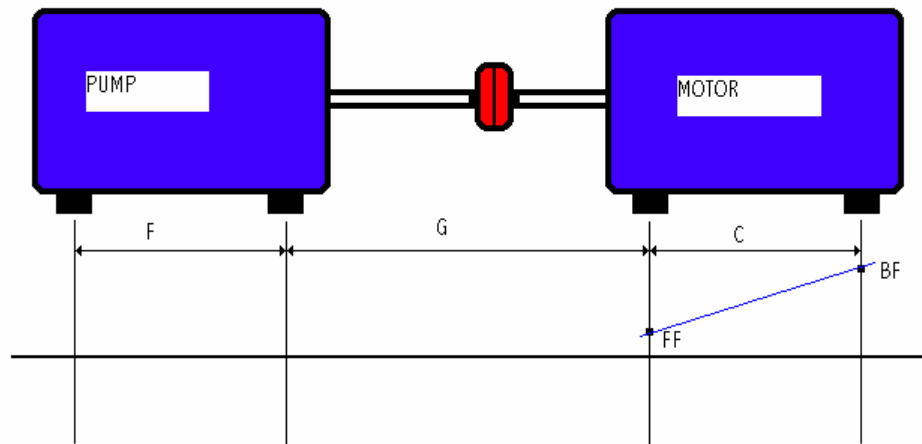


VibrAlign Laser Alignment Tips

Solving a base bound problem



In a base bound situation the movable machine (Motor) is sitting high, but there are no shims under the feet. The problem can be solved by raising the front of the stationary machine (Pump). The amount to be placed under the front feet of the stationary machine can be calculated by the following formula:

$$\text{Pump front foot shim amount} = \left[\frac{BF}{[F + G + C]} \right] \times F$$

